

Block and Bleed 2-Valve Manifolds - V02 Series

FEATURES

- Isolates and bleeds process from instrument assembly pressure for instrument maintenance
- 316L Stainless Steel construction
- Support mounting brackets available

TYPICAL USES

- Oil & Gas Industry
 - Upstream: Onshore/offshore production
 - Midstream: Transport, storage and natural gas compression
 - Downstream: Refineries and petrochemical industries
- Chemical Industry
- Power Plants
 - Conventional power plants
 - Nuclear power plants
 - Flue gas desulfurization plants
- Other Industries
 - Waste incineration plants
 - Seawater desalination plants
 - Steel mills
 - Cement plants



STYLE A
(INLINE)



STYLE B
(L-SHAPE)

SPECIFICATIONS

Process Conn: Style A ½ NPTM
 Style B ½ NPTF
 Style C ½ NPTF

Instrument Conn: 1/2 NPTF

Construction: 316L Stainless Steel

Max Pressure

Rating (PTFE): 6092 psi at 140°F (60°C)

Max Temperature

Rating (PTFE): 392°F (200°C) at 1305 psi

COMPONENTS

MATERIAL

Wetted

Body	316L
Valve stem	316L
Needle tip	316Ti
Packing	PTFE up to 200 °C
Gland nut	304
Screw Plug*	316L

Non-Wetted

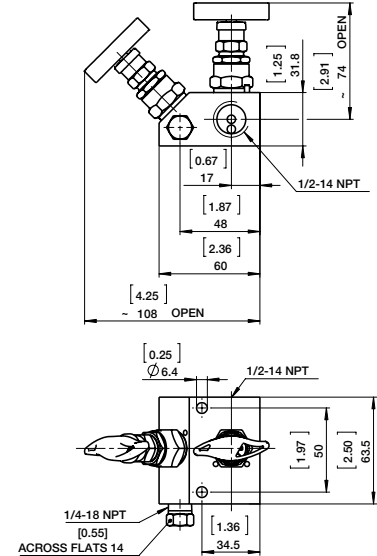
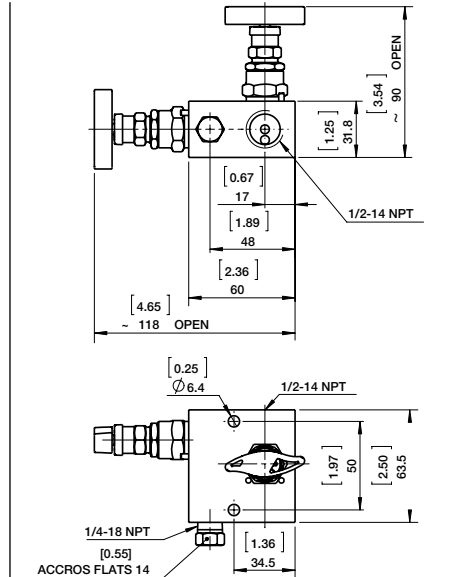
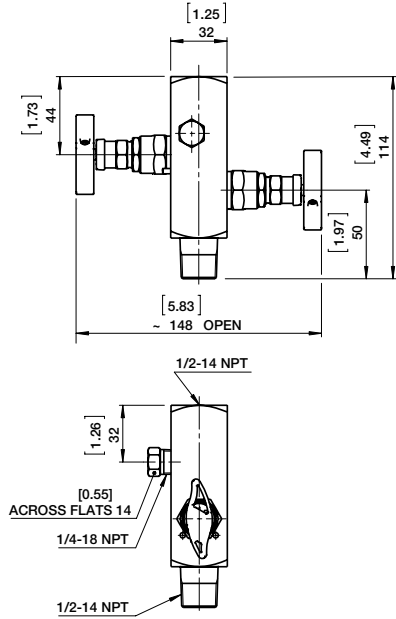
Bonnet	316
T-handle	Stainless Steel

*Style B, C only

- Color-coded dust caps prevent dust ingress and identifies handle function
- PTFE Packing (other materials available upon request)
- Stem with cold rolled surface, back seat and non-rotating needle tip
- Supplied with wetted parts according to NACE MR0175/MR0103
- Material traceability reports available per EN 10204 3.1

Block and Bleed 2-Valve Manifolds - V02 Series

DIMENSIONS (dimensions in [] are decimal inches)



ORDERING CODE

Example:	04	V02	2V	A	SS	50	XC3
Process Connection							
04-½ NPT Male (style A only)	04						
50-½ NPT Female							
Series Code							
V02-Valve		V02					
Valves							
2V-2 Valve			2V				
Version							
A-Style A				A			
B-Style B							
C-Style C							
Material							
SS-316SS					SS		
Instrument Connection							
50-½ NPT Female						50	
Options							
C3-Material Traceability Report							XC3
CD-5 NACE Certificate							
AT-ATEX approved							
HY-Hydrostatic Testing							
6B-Cleaned for Oxygen Service							
NH-Stainless Steel Tags							